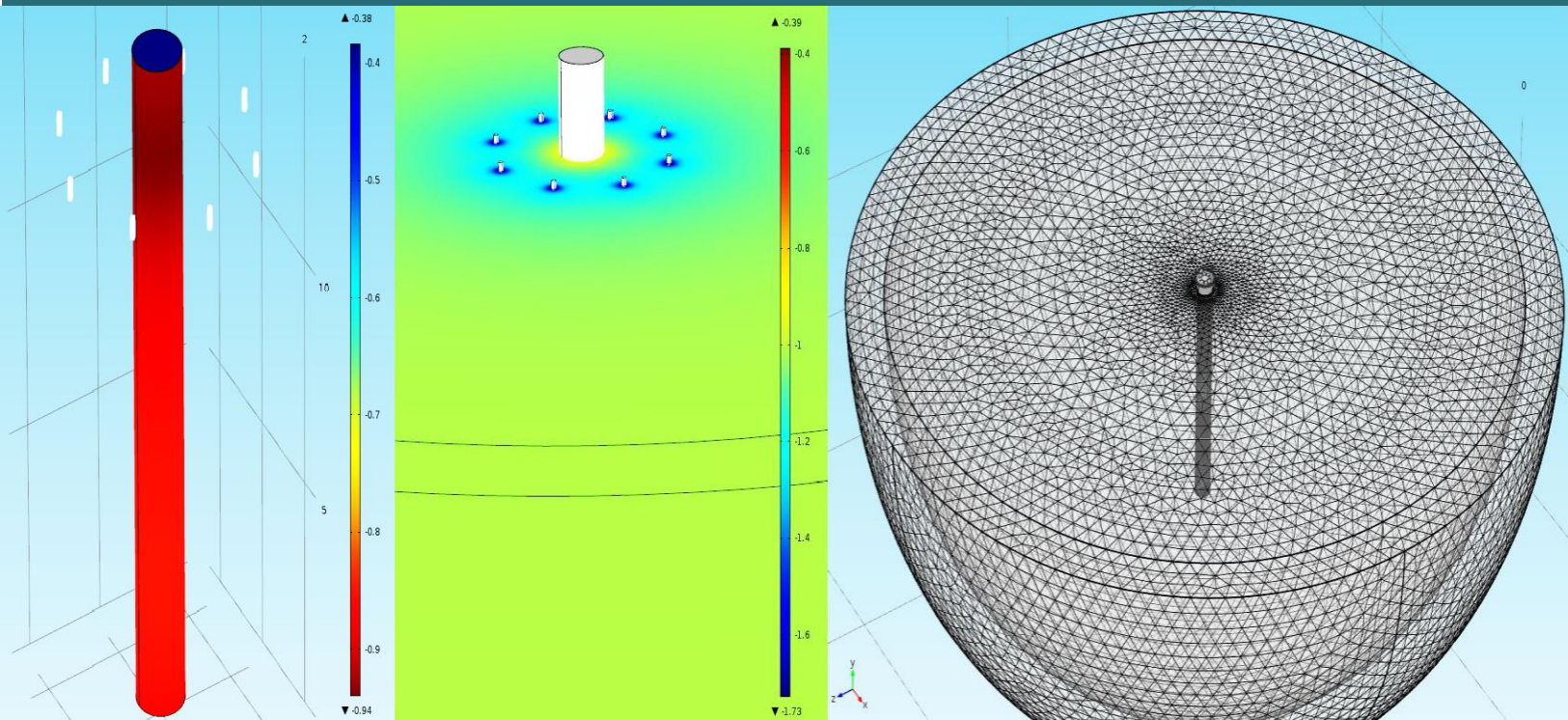


# CATHODIC PROTECTION COURSE AT MATERGENICS



**JOIN US AT AUGUST 2018**

## Course Location

Matergenics Inc., 100 Business Center Dr., Pittsburg, PA 15205

## Registration Deadline

Limited spots are available. This course will fill up quickly, so please register as soon as possible if you'd like to ensure a spot.

**REGISTRATION DEADLINE IS July 15, 2018**



*Click to Go to Registration Page*

### Contact Details

100 Business Center Drive  
Pittsburgh, PA 15205

Tel: (412) 788-1263  
Fax: (412) 788-1283

[info@matergenicsinc.com](mailto:info@matergenicsinc.com)

[WWW.matergenicsinc.com](http://WWW.matergenicsinc.com)

## Who Should Attend?

- Engineers and technologist who are in charge of cathodic protection systems
- Designer who are interested in cathodic protection technologist for corrosion prevention
- Technician and maintenance personal who deals with installed cathodic protection
- Facility owners and users who are concerned with corrosion mitigation



# Protective Coating and Cathodic Protection

## COURSE CONTENTS

1. Corrosion Basics
2. Corrosion Risk Assessment of Pipelines and Tanks
3. Corrosion Control
4. Coatings for Underground Applications
5. Corrosion Control through Cathodic Protection
6. Cathodic Protection Systems
7. CIS, DCVG, ACVG, PCM
8. Cathodic Protections Anodes
9. Cathodic Protection Testing
10. Cathodic Protection Criteria
11. Design, Installation and Monitoring of Galvanic Cathodic Protection
12. Design, Installation and Monitoring of Impressed Cathodic Protection
13. Stray Current Corrosion
14. CP records
15. CP Audits and Trouble-Shooting
16. Case Histories

## HANDS ON WORKSHOPS

Priority will be given to hands on classroom demonstrations to clearly show how the testing should be conducted.

## INSTRUCTOR

M. ZEE, PHD,  
FELLOW OF NACE, FELLOW OF ASM  
NACE CERTIFIED CORROSION/MATERIALS SELECTION/DESIGN/COATING/CP SPECIALIST  
NACE Approved Instructor for CP1, CP2, CP3  
Condition Assessment and Corrosion Control Through Design

## MATERGENICS

100 Business Center Drive  
Pittsburgh, PA 15205

Tel: +1 (412) 788-1263  
Fax: +1 (412) 788-1283

[info@matergenicsinc.com](mailto:info@matergenicsinc.com)  
[www.matergenicsinc.com](http://www.matergenicsinc.com)





# REGISTRATION INFORMATION

## REGISTRATION DEADLINE

---

Limited spots are available. This course will fill up quickly, so please register as soon as possible if you'd like to ensure a spot.

**REGISTRATION DEADLINE IS July 15, 2018.**

## REGISTRATION INFORMATION

---

Cathodic Protection Course US \$250

How did you hear about this event? (direct e-mail, colleague, speaker(s), etc.)

Print Name \_\_\_\_\_ Job Title \_\_\_\_\_

Company \_\_\_\_\_

What name do you prefer on your name badge? \_\_\_\_\_ Address \_\_\_\_\_

City \_\_\_\_\_ State/Province \_\_\_\_\_ Zip/Postal Code \_\_\_\_\_ Country \_\_\_\_\_

Telephone \_\_\_\_\_ Email \_\_\_\_\_

List any dietary or accessibility needs here \_\_\_\_\_

### CREDIT CARD

Name on Card \_\_\_\_\_ Account Number \_\_\_\_\_

Billing Address \_\_\_\_\_ Billing City \_\_\_\_\_ Billing State \_\_\_\_\_

Billing Zip Code/Postal Code \_\_\_\_\_ Exp. Date \_\_\_\_\_ Security Code (last 3 digits on the back of Visa and MC or 4 digits on front of AmEx) \_\_\_\_\_

OR Enclosed is a check for \$ \_\_\_\_\_ to cover \_\_\_\_\_ registrations.

### MATERGENICS

100 Business Center Drive  
Pittsburgh, PA 15205

Tel: +1 (412) 788-1263  
Fax: +1 (412) 788-1283

[info@matergenicsinc.com](mailto:info@matergenicsinc.com)  
[www.matergenicsinc.com](http://www.matergenicsinc.com)

